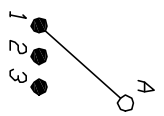
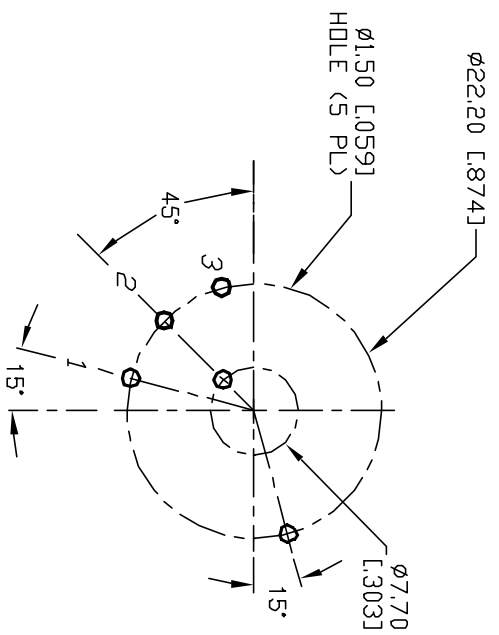


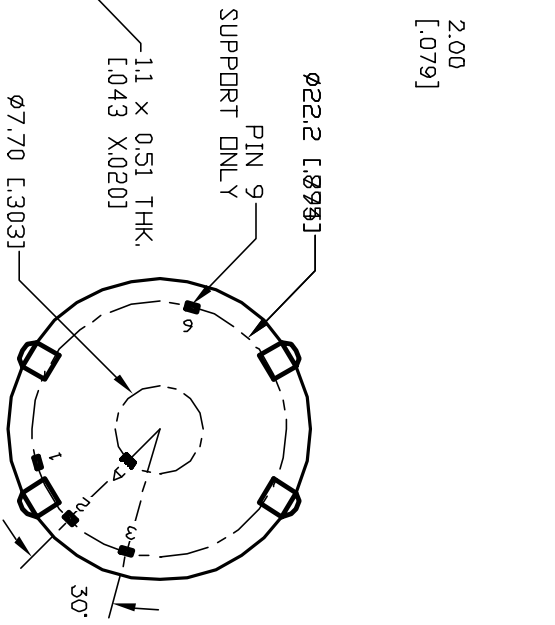
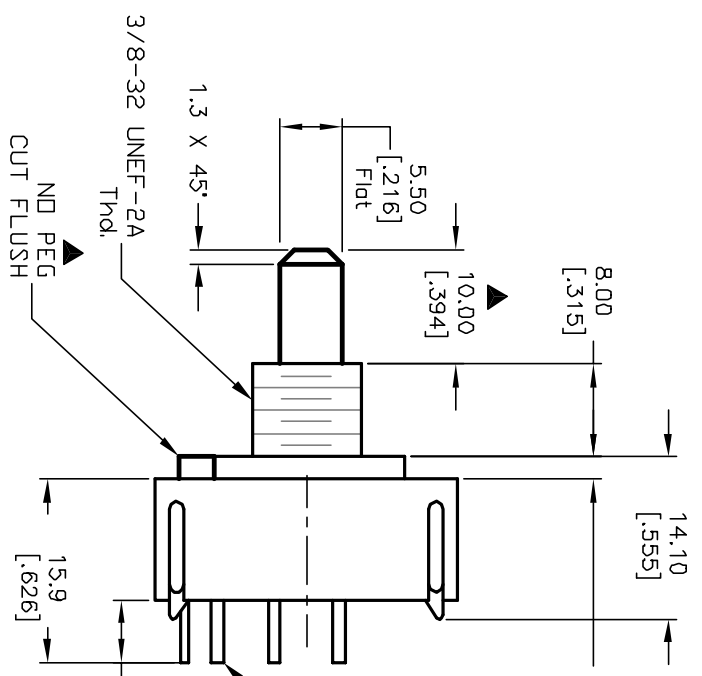
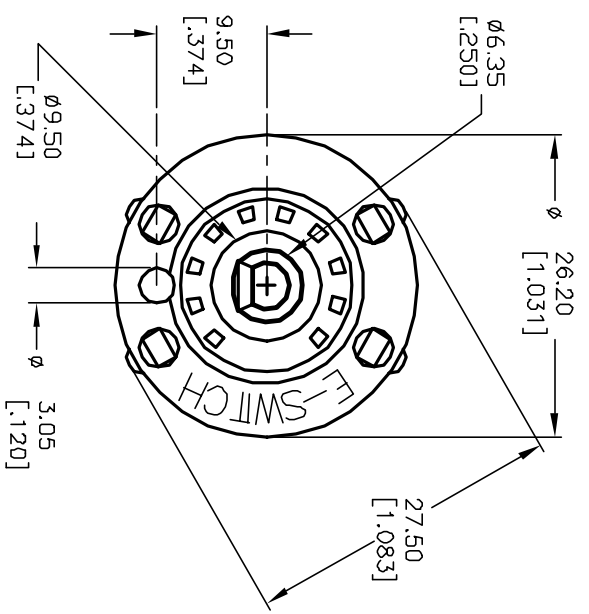
- NOTES:
1. ALL DIMENSION IN MM [INCH]
 2. GENERAL TOLERANCE: X.X=±0.4
X.XX=±0.25
 3. TERM. NOS. FOR REF. ONLY
 4. CONTACT RATING SWITCHING: 150mA, 250V AC/DC
 5. OPERATING FORCE: 425±100 CM/STANDARD
 6. OPERATING TEMP: -30° to 85°C
 7. CIRCUIT SP.: 3 POSITIONS, 30° INDEX.
 8. DIELECTRIC STRENGTH: 1000V RMS min. @ SEA LEVEL
 9. DESIGNATE MAJOR DIMENSIONS
 10. SUPPLIED HARDWARE: LOCK NUT AND WASHER NOT SHOWN.



CONTACT CONFIGURATION
Timing; Shorting (MBS)



RECOMMENDED P.C.B. LAYOUT



E-SWITCH®

B	12356	REVISED DESC PER CATALDG	11/22/02	CJB
A	11301	RELEASED FOR PRODUCTION	3/14/01	CJB
REV.	ECN No.	DESCRIPTION	DATE	CHKD

TITLE	SCALE	DATE	DR	DWG	REV
KC-13-A-(10.0mm) 01-S-P-S (NO PEG)	1.5:1	3/14/01	CJB	G510895	B

THE INFORMATION CONTAINED IN THIS DOCUMENT IS PROPRIETARY TO E-SWITCH AND IS NOT TO BE COPIED OR TRANSFERRED